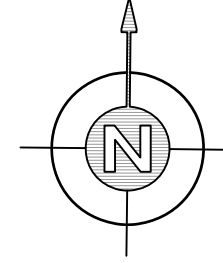


AUDI



ABBREVIATIONS			
ACC.	ACCESSIBLE	INCL.	INCLUDE
∠	ANGLE	INSUL	INSULATION
@	AT	JT.	JOINT
A.B.	ANCHOR BOLT	MAX.	MAXIMUM
A.C.	ASPHALTIC CONCRETE	MB	MACHINE BOLT
A.F.F.	ABOVE FINISH FLOOR	MECH	MECHANICAL
APPROX.	APPROXIMATE	MFR.	MANUFACTURER
BLDG.	BUILDING	MIN.	MINIMUM
BLK.	BLOCK	MTL.	METAL
BLKG.	BLOCKING	[N]	NEW
BM	BEAM	N.I.C.	NOT IN CONTRACT
B.O.	BOTTOM OF	NO. #	NUMBER
¢	CENTERLINE	N.T.S	NOT TO SCALE
CEM.	CEMENT	O.C.	ON CENTER
CHKD.	CHECKED	O.D.	OUTSIDE DIAMETER
CLR.	CLEAR	P.D.	PANEL DIMENSION
C.J.	CONTROL JOINT	PSI	POUNDS PER SQUARE INCH
COL.	COLUMN	ϕ	PLATE
COMP.	COMPOSITE	±	PLUS OR MINUS FIELD VERIFY
CONC.	CONCRETE	PLYWD	PLYWOOD
CONN.	CONNECTION	REF.	REFERENCE
CNTR.	CENTER	REINF	REINFORCED
CONT.	CONTINUOUS	REQ.	REQUIRED
DEMO.	DEMOLITION	REV.	REVISION
DTL.	DETAIL	SF.	SQUARE FEET
D.F.	DOUGLAS FIR	SHT.	SHEET
DIA. ∅	DIAMETER	SIM.	SIMILAR
DIM.	DIMENSION	SPECS.	SPECIFICATIONS
DLO	DAY LIGHT OPENING	SQ.	SQUARE
DRWGS.	DRAWINGS	SS	STAINLESS STEEL
DS.	DOWNSPOUT	STD.	STANDARD
(E)	EXISTING	STL.	STEEL
EA.	EACH	T.O.	TOP OF
ELECT.	ELECTRICAL	T.O.S.	TOP OF STEEL
EQUIP.	EQUIPMENT	THK.	THICK
ETC.	ET CETERA	TYP.	TYPICAL
EXP.	EXPANSION	U.O.N.	UNLESS OTHERWISE NOTED
E.I.	EXPANSION JOINT	W/	WITH
EXT.	EXTERIOR	WD.	WOOD
FD	FRAME DIMENSION		
FDTN.	FOUNDATION		
F.F.	FINISHED FLOOR		
FLASH.	FLASHING		
FLR.	FLOOR		
F.O.B.	FACE OF BLOCK		
FT.	FOOT		
GA.	GAUGE		
GALV.	GALVANIZED		
GEN.	GENERAL		
GSM	GALVANIZED SHEET METAL		
GYP. BD.	GYP. BOARD		
HORIZ.	HORIZONTAL		
HVAC	HEATING VENTILATION AIR CONDITIONING		

ARCHITECT AND/OR GENERAL CONTRACTOR NOTES:

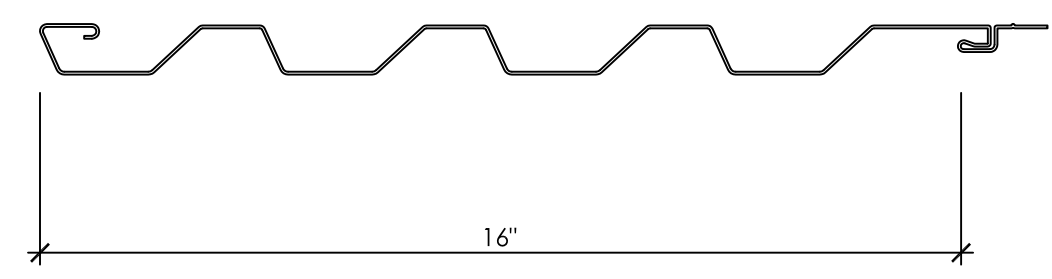
1. THE DATA USED FOR THESE SHOP DRAWINGS WAS THE ARCHITECTURAL DRAWINGS DATED 7-3-15.
2. ALL STRUCTURES TO WHICH APPROVAL OF FRAMING IS TO BE ANCHORED, MUST BE STRUCTURALLY ADEQUATE FOR SUPPORTING THE WEIGHTS AND REACTIONS OF THE PANEL SYSTEM UNDER MAXIMUM DESIGN LOADS.
3. APPROVAL OF AND/OR ERRORS INCURRED BY OTHER TRADES THROUGH THE USE OF THESE SHOP DRAWINGS. ASSUMES NO RESPONSIBILITY FOR WORK.
4. APPROVAL OF PATCHING OF OUR WORK IS REQUIRED DUE TO ERRORS BY OTHER TRADES. SHALL BE REIMBURSED IF CUTTING, FITTING OR

GENERAL NOTES:

1. ALL STOREFRONT, DOORS, WINDOWS, AND CURTAINWALL SHALL BE INSTALLED AND FLASHED ACCORDING TO QMI APPROVED SHOP DRAWINGS PRIOR TO FIELD MEASUREMENTS AND FABRICATION OF COMPOSITE METAL WALL PANELS.
2. SEALANT: DOW 795 SILICONE SEALANT AS MFG. BY DOW-CORNING, COLOR TO BE SELECTED FROM STANDARD COLOR CHART.
3. TYPICAL SYSTEM DEPTH REQUIREMENTS FOR COMPOSITE PANELS ARE 2-1/4" MIN. BETWEEN FACE OF PANEL & FACE OF SUBSTRATE.
4. ALL PERIMETER FASTENERS ARE TO BE PER FLORIDA PRODUCT APPROVAL.
5. FIELD VERIFICATION OF BUILDING DIMENSIONS BY QMI, OR DIMENSIONAL GUARANTEE BY CONTRACTOR, ARE REQUIRED PRIOR TO FABRICATION OF COMPOSITE METAL PANELS.
6. "OIL-CANNING" IS INHERENT IN ALL COLD ROLLED STEEL AND ALUMINUM PRODUCTS
7. "OIL-CANNING" SHOULD BE EXPECTED AND IS NOT BASIS FOR REJECTION. STRIATIONS/PENCIL RIBS ONLY HELP MINIMIZE OIL CANNING.
8. THE INSTALLATION OF ANY TYPE OR BRAND OF UNDERLAYMENT MATERIALS (DRY-IN) DOES NOT CONSTITUTE 100% WEATHER-TIGHTNESS OF THE BUILDING ENVELOPE.
9. ANY WORK DONE PRIOR TO THE 100% COMPLETION OF ROOF ASSEMBLY IS AT YOUR OWN RISK.
10. WILL NOT BE RESPONSIBLE FOR ANY UNDERLAYMENT EXPOSED BEYOND THE MANUFACTURER'S ACCEPTED EXPOSURE PERIOD.
11. RAINSCREEN PANEL SYSTEMS ARE NOT INTENDED TO BE 100% WATERTIGHT AND SOLELY RELY ON THE VAPOR BARRIER.
12. ALL VAPOR BARRIER MEMBRANE AND SEALANTS ARE BY OTHERS UNLESS OTHERWISE NOTED.
13. ALL PRIMARY SEALANTS AROUND STOREFRONT, CURTAINWALL, DOORS, LOUVERS, ARE BY OTHERS.
14. ROOF DRAINAGE IS BY OTHERS, INCLUDING ALL GUTTERS, DOWNSPOUTS, SCUPPERS, DRAINS, ETC.
15. ALL ROUGH CARPENTRY IS BY OTHERS.

PANEL SYSTEM AND FINISH:

PROFILE PANEL SYSTEM:
 MANUFACTURER: PETERSON ALUMINUM CORP.
 PRODUCT NAME: PRECISION SERIES HWP
 SUBSTRATE: .032" ALUMINUM
 FL PRODUCT APPROVAL: #15598.4
 PANEL DEPTH: 7/8"
 FINISH: SMOOTH KYNAR 500 PAINT
 COLOR: SILVER METALLIC



ALUMINUM COMPOSITE MATERIAL RAIN-SCREEN SYSTEM:

ACM MANUFACTURER: ALCOA ARCHITECTURAL PRODUCTS
 ACM PRODUCT NAME: REYNOBOND
 ACM THICKNESS: 4mm (.157")
 ACM CORE: STANDARD POLYETHYLENE "PE"
 ACM SKINS: (2) .020" ALUMINUM
 SYSTEM TYPE: RAINSCREEN
 FL PRODUCT APPROVAL: #16849.1
 SYSTEM DEPTH: 2 1/4"
 FINISH: SMOOTH KYNAR 500 PAINT
 COLOR: BRIGHT SILVER METALLIC

Sheet List Table

Sheet Number	Sheet Title
P0.00	TITLE SHEET
P1.00	OVERALL FLOOR PLAN
P2.00	BUILDING ELEVATIONS
P2.01	PANEL ELEVATIONS
P2.02	PANEL ELEVATIONS
P2.03	PANEL ELEVATIONS
P2.04	PANEL ELEVATIONS
P2.05	ACM PANEL ELEVATIONS
P2.06	ACM PANEL ELEVATIONS
P5.00	PANEL DETAILS
P5.01	PANEL DETAILS
P5.02	PANEL DETAILS
P5.03	PANEL DETAILS

SYMBOLS

	ALUMINUM		ELEVATION NUMBER SHEET WHERE ELEVATION IS DRAWN		KEYNOTE
	STEEL		WINDOW TYPE		REVISION NUMBER
	CONCRETE		DOOR NUMBER		MATCH LINE
	SAND MORTAR OR PLASTER		SECTION NUMBER		DATUM, WORK OR CONTROL NUMBER
	PLYWOOD		SHEET WHERE SECTION IS DRAWN		ANGLE
	GYP. BOARD		DETAIL NUMBER		DIAMETER OR ROUND
	GLASS		SHEET WHERE DETAIL IS DRAWN		PERPENDICULAR
	WOOD FRAMING (CONT. MEMBER)		SHEET WHERE ENLARGED ELEVATION IS DRAWN		POUND OR NUMBER CENTERLINE
	WOOD FRAMING (BLOCKING)		ENLARGED NUMBER		PLATE OR PROPERTY LINE

FABRICATION/INSTALLATION NOTES:

1. ALL CRITICAL PANEL DIMENSIONS WILL BE FIELD VERIFIED PRIOR TO FABRICATION
2. ALL ELEVATIONS ARE VIEWED FROM THE OUTSIDE UNLESS OTHERWISE INDICATED

WIND LOADS

1. EXPOSURE: C
2. MIN. BASIC WIND SPEED: 125 MPH
3. BUILDING HEIGHT: 29'-7"

EXCLUSIONS:

1. SHEET METAL FLASHING THAT TURNS INTO WINDOW/DOOR OPENINGS
2. ANY FRAMING, LIGHT GAUGE METAL, OR STRUCTURAL STEEL
3. ANY GYPSUM SHEATHING OR VAPOR BARRIER
4. ANY SHEET METAL FLASHING NOT INCLUDED ABOVE
5. ANY MEMBRANE ROOFING, GUTTERS, DOWNSPOUTS, SCUPPERS, DRAINS, PARAPET CAP, ETC.
6. ROUGH CARPENTRY
7. INSULATION
8. MOCK-UPS & TESTING
9. ROOFTOP MECHANICAL SCREEN
10. ANY ATTIC STOCK
11. LOUVERS
12. ANY ACM PANELS ON INTERIOR OF AUDI SERVICE DRIVE
13. ANY SEALANTS AROUND WINDOWS, DOORS, LOUVERS, ETC.



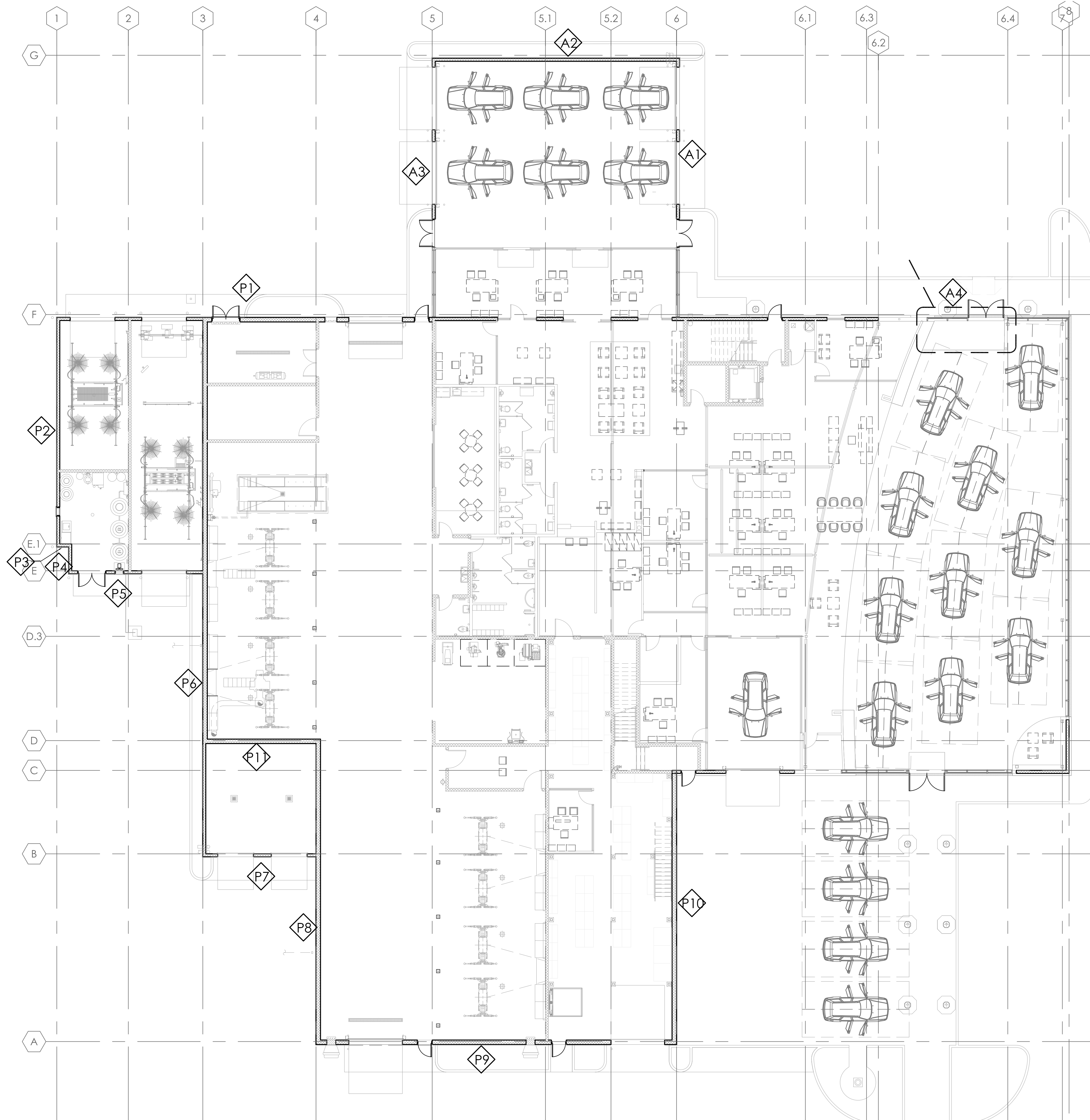
REVISION HISTORY

AUDI

TITLE SHEET

PROJECT NO.	_____
SCALE	_____
DATE	1/22/14
DRAWN	DJD

P0.00



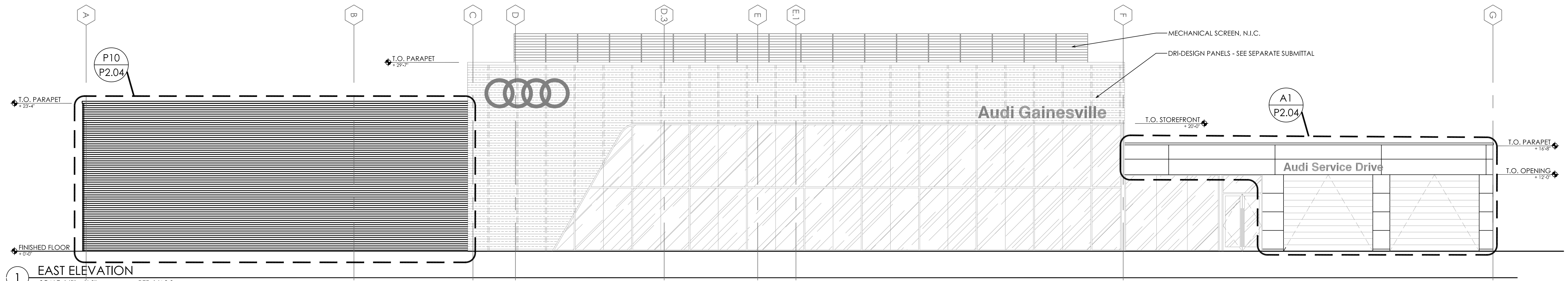
1 OVERALL FLOOR PLAN
SCALE: 3/32"=1'-0" REF: A1/0

REVISION HISTORY	
▲	
▲	
▲	
▲	
▲	

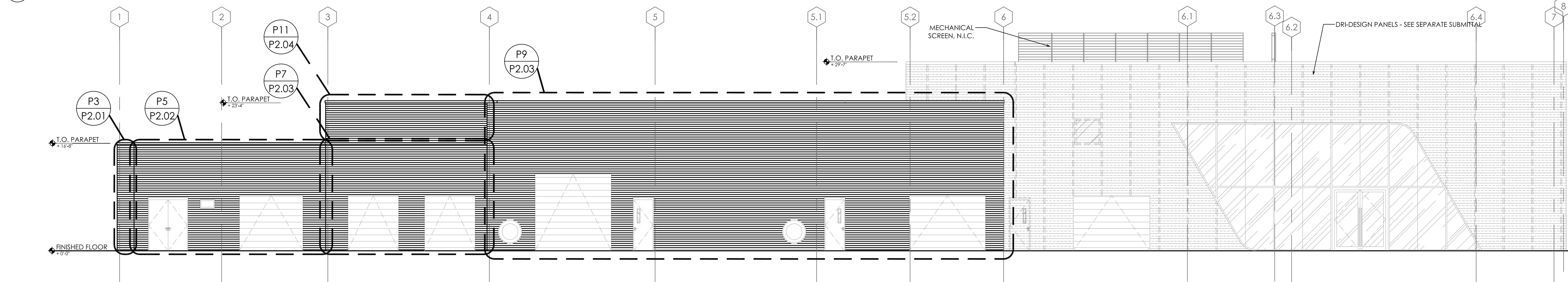
AUDI
OVERALL FLOOR PLAN

PROJECT NO.
SCALE	3/32"=1'-0"
DATE	3/10/16
DRAWN	DJD

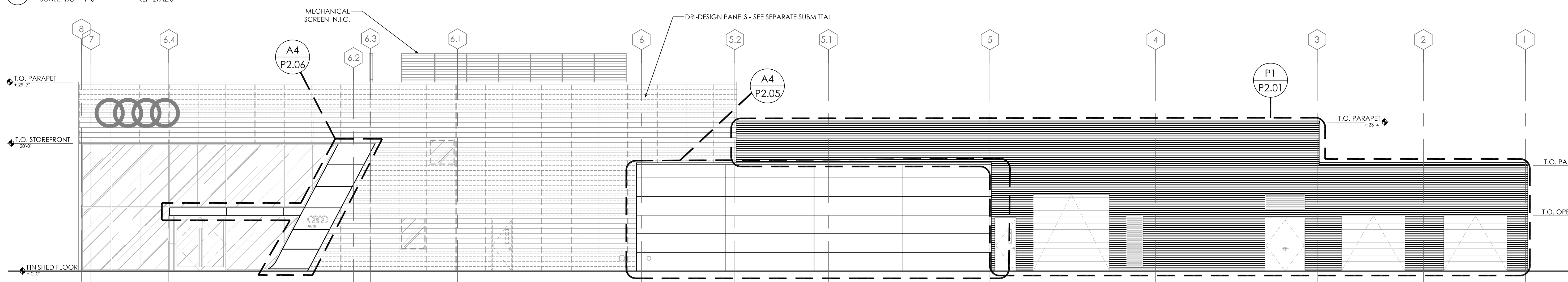
P1.00



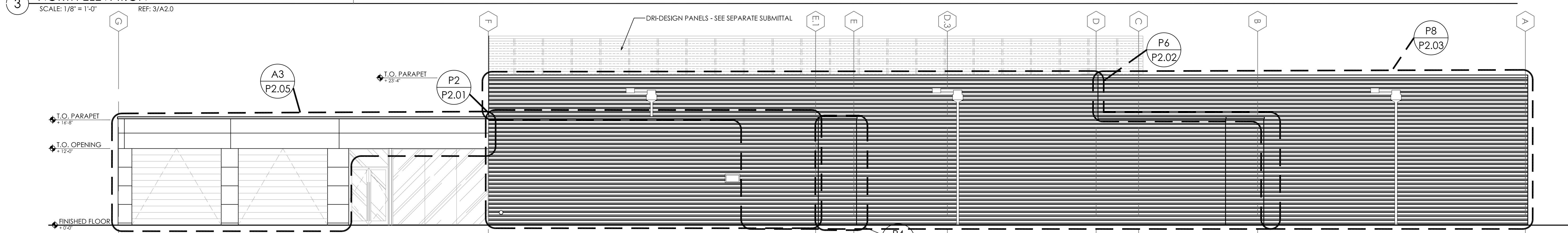
1 EAST ELEVATION
SCALE: 1/8" = 1'-0" REF: 1/A2.0



2 SOUTH ELEVATION
SCALE: 1/8" = 1'-0" REF: 2/A2.0



3 NORTH ELEVATION
SCALE: 1/8" = 1'-0" REF: 3/A2.0



4 WEST ELEVATION
SCALE: 1/8" = 1'-0" REF: 4/A2.0

NO.	DATE	DESCRIPTION

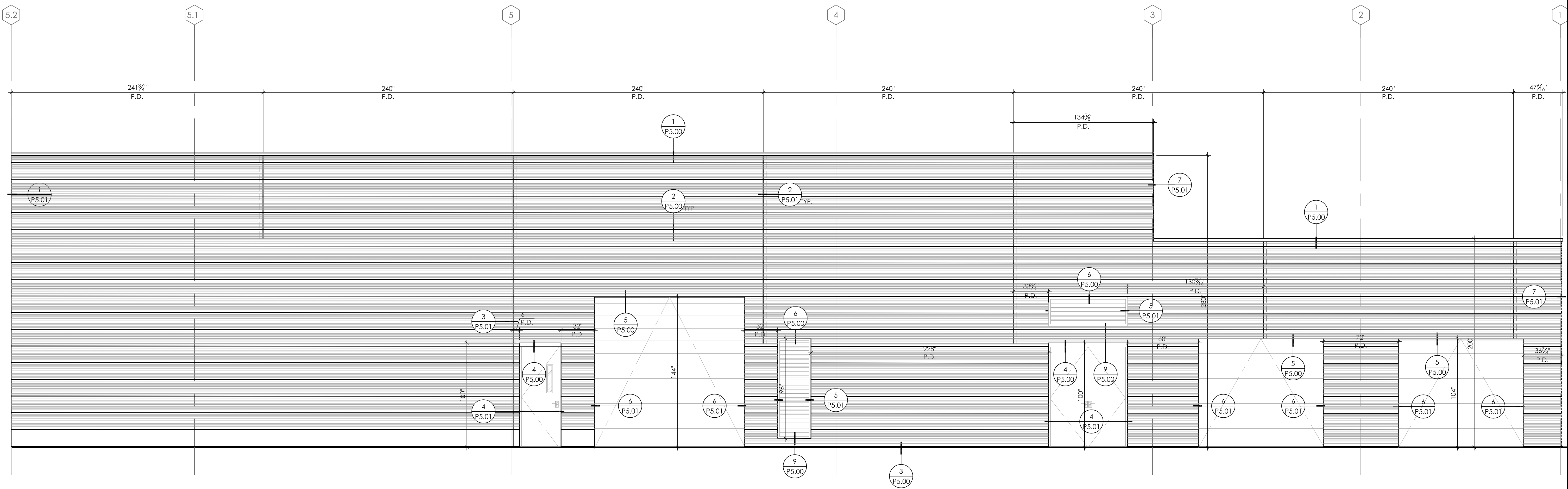
REVISION HISTORY

AUDI

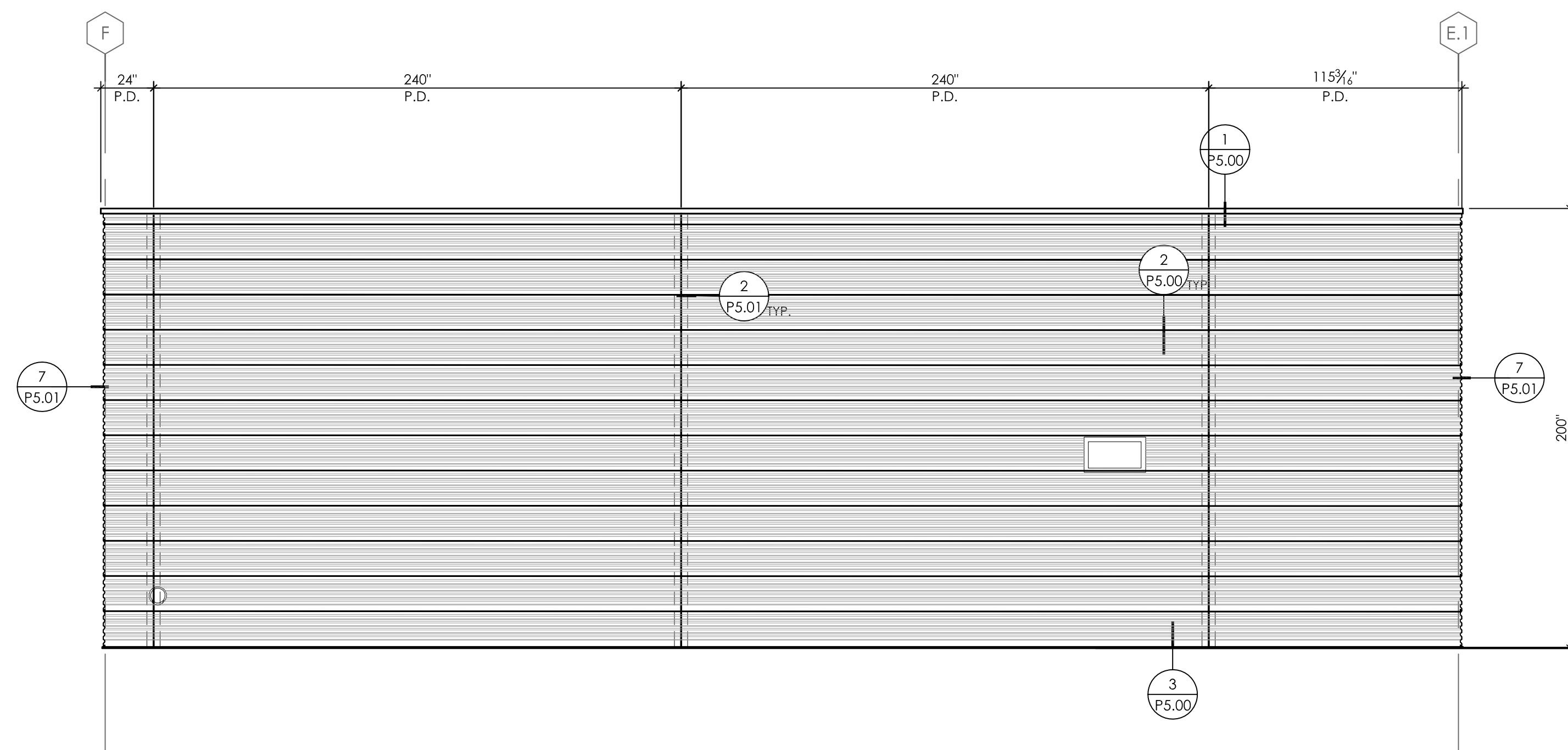
BUILDING ELEVATIONS

PROJECT NO.
SCALE 1/8"=1'-0"
DATE 3/10/16
DRAWN DJD

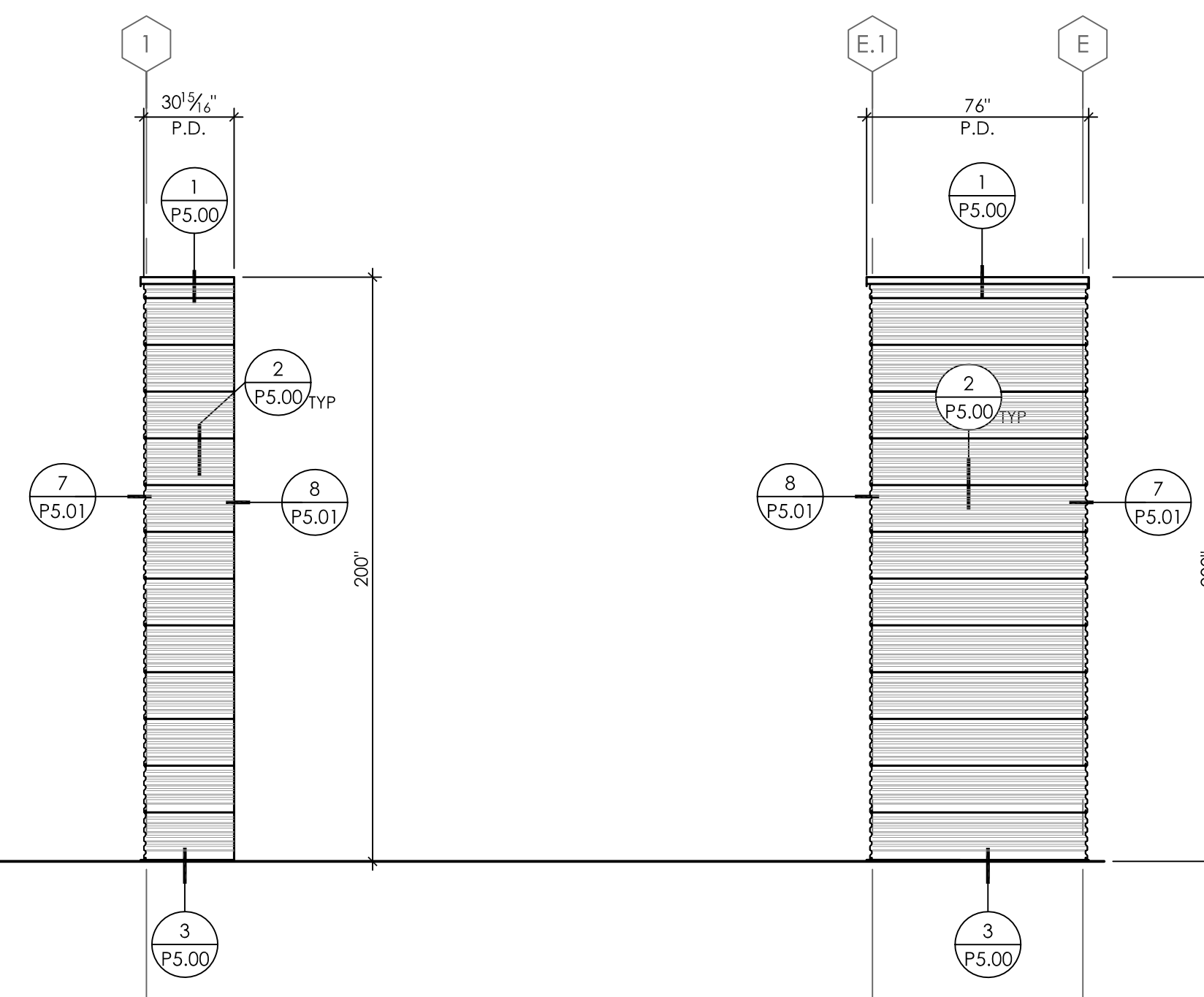
P2.00



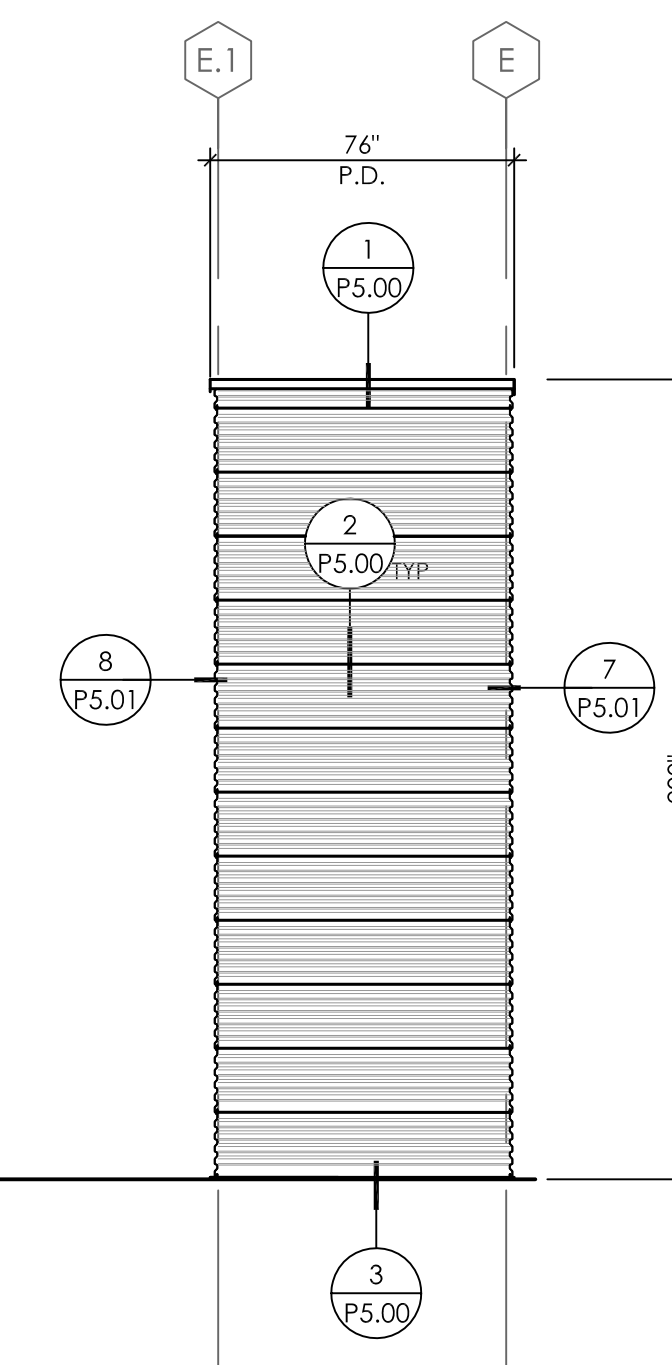
P1 PROFILE PANEL ELEVATION - PRECISION SERIES HWP
SCALE: 1/4"=1'-0"



P2 PROFILE PANEL ELEVATION - PRECISION SERIES HWP
SCALE: 1/4"=1'-0"



P3 PROFILE PANEL ELEVATION - PRECISION SERIES HWP
SCALE: 1/4"=1'-0"



P4 PROFILE PANEL ELEVATION - PRECISION SERIES HWP
SCALE: 1/4"=1'-0"

NO.	DESCRIPTION	DATE

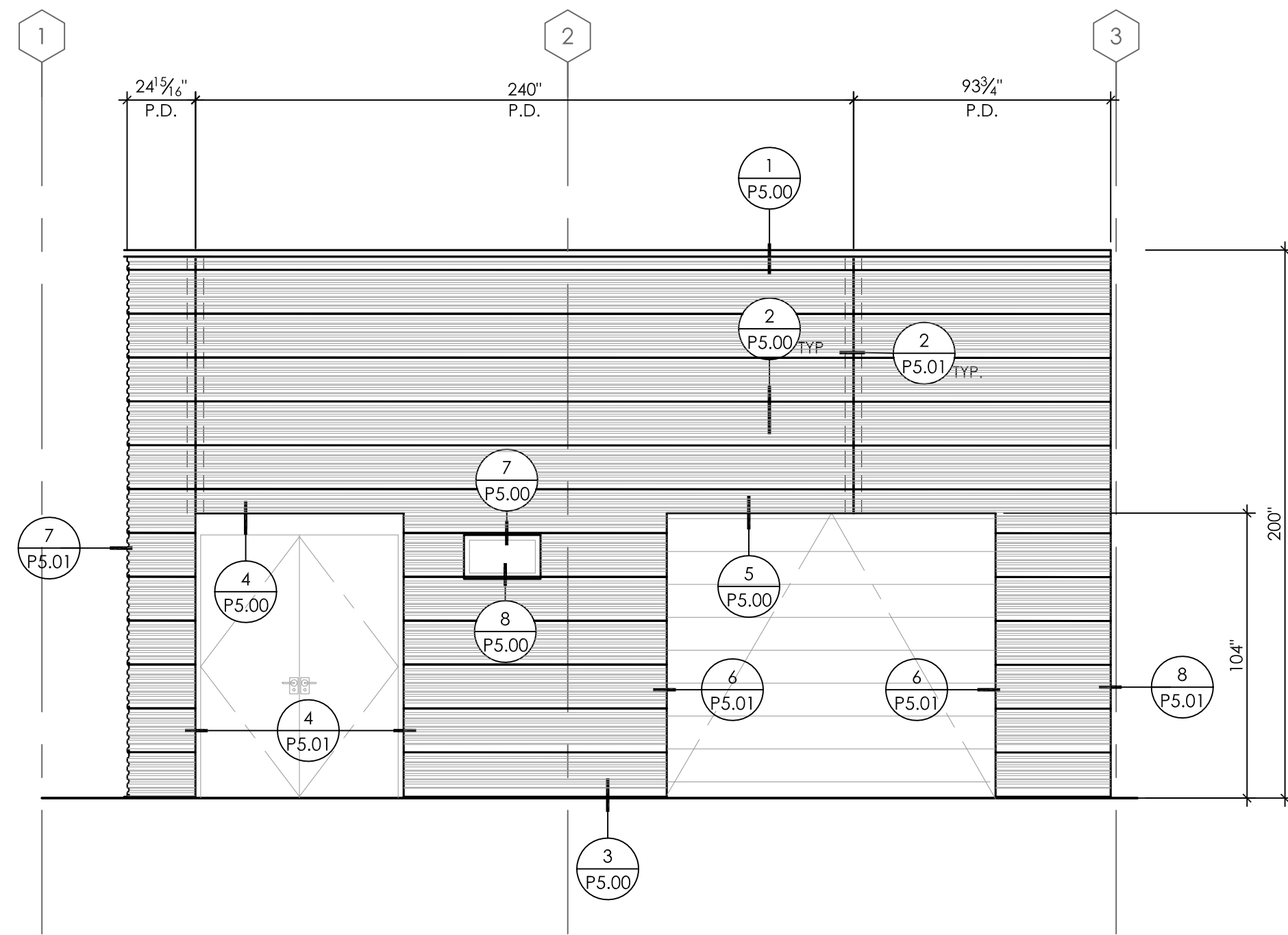
REVISION HISTORY

AUDI

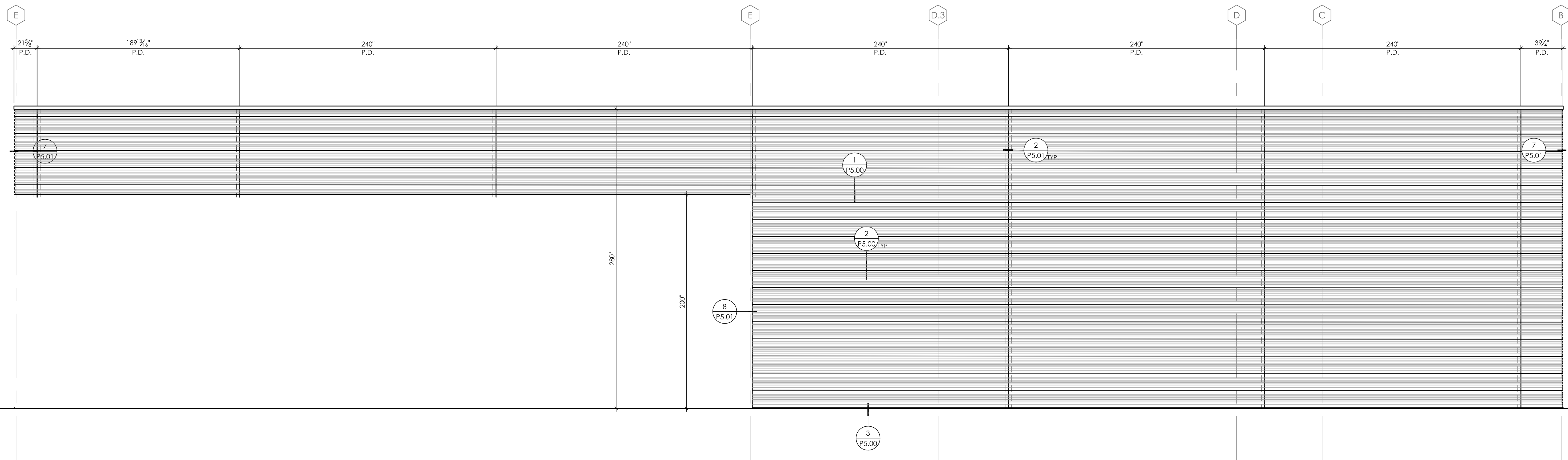
PANEL ELEVATIONS

PROJECT NO. ____
SCALE 1/4"=1'-0"
DATE 3/10/16
DRAWN DJD

P2.01



P5 PROFILE PANEL ELEVATION - PRECISION SERIES HWP
SCALE: 1/4"=1'-0"

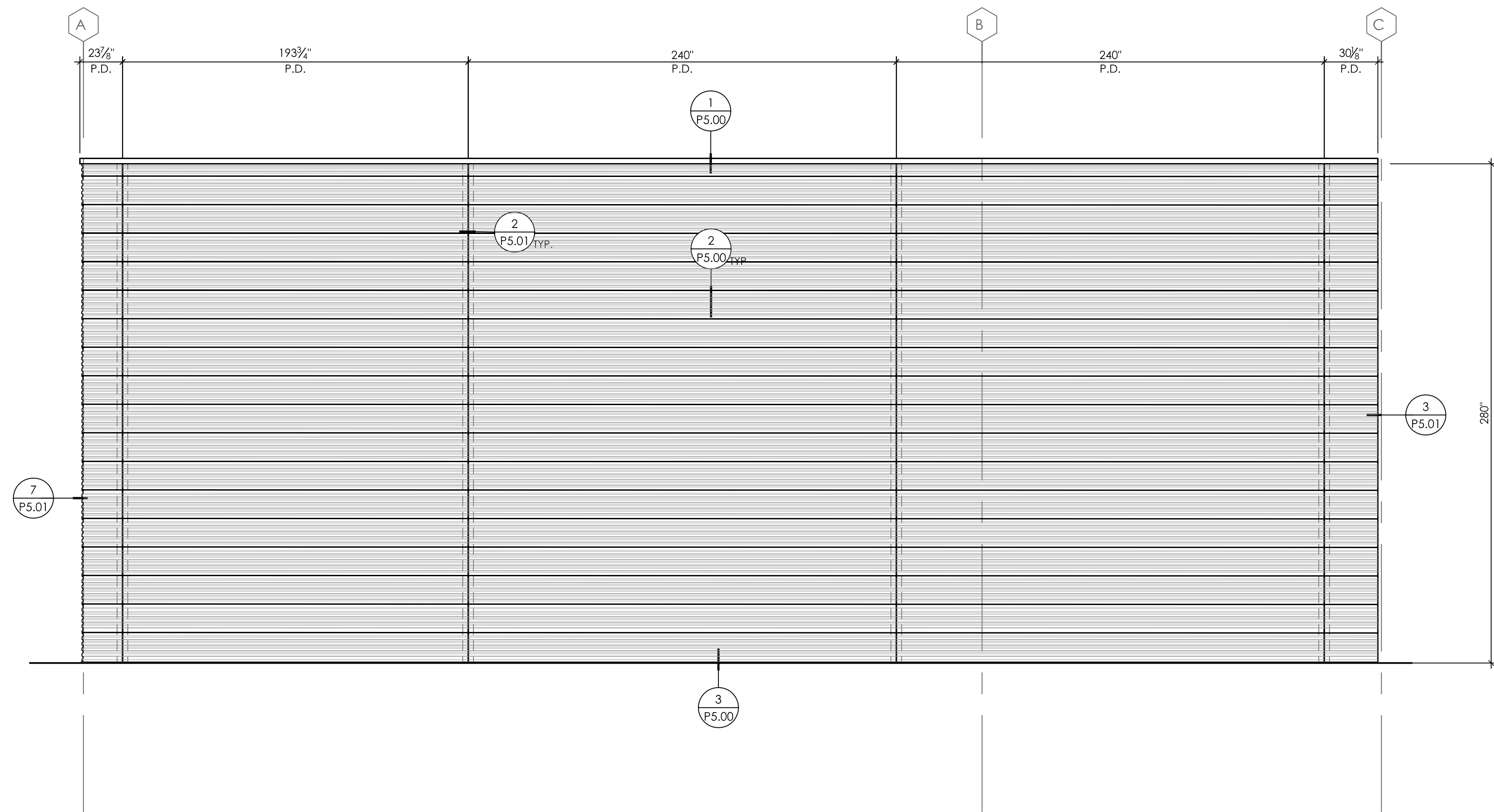


P6 PROFILE PANEL ELEVATION - PRECISION SERIES HWP
SCALE: 1/4"=1'-0"

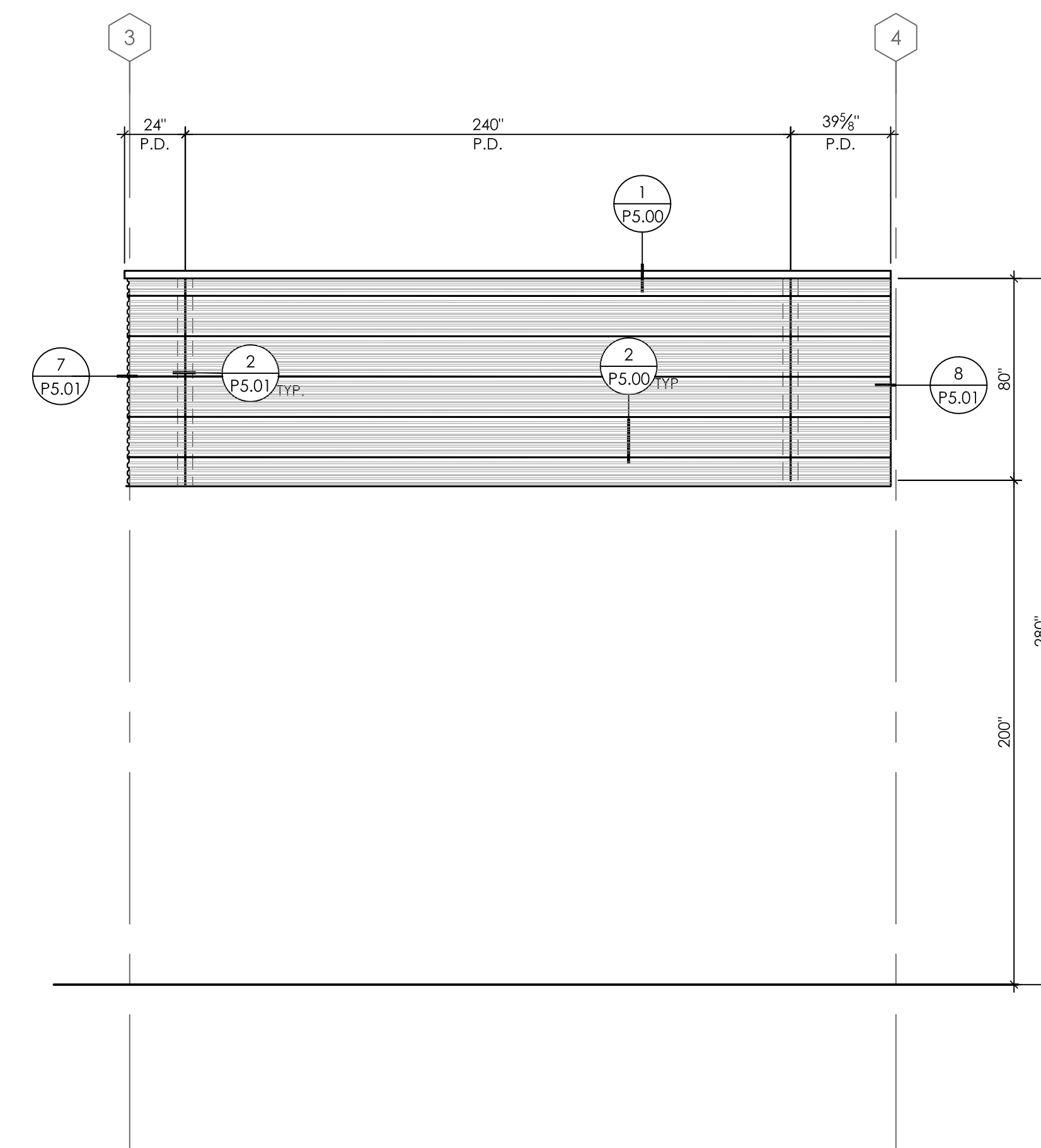
REVISION HISTORY

AUDI
PANEL ELEVATIONS

PROJECT NO. ____
SCALE 1/8"=1'-0"
DATE 3/10/16
DRAWN DJD



P10 PROFILE PANEL ELEVATION - PRECISION SERIES HWP
SCALE: 1/4"=1'-0"



P11 PROFILE PANEL ELEVATION - PRECISION SERIES HWP
SCALE: 1/4"=1'-0"

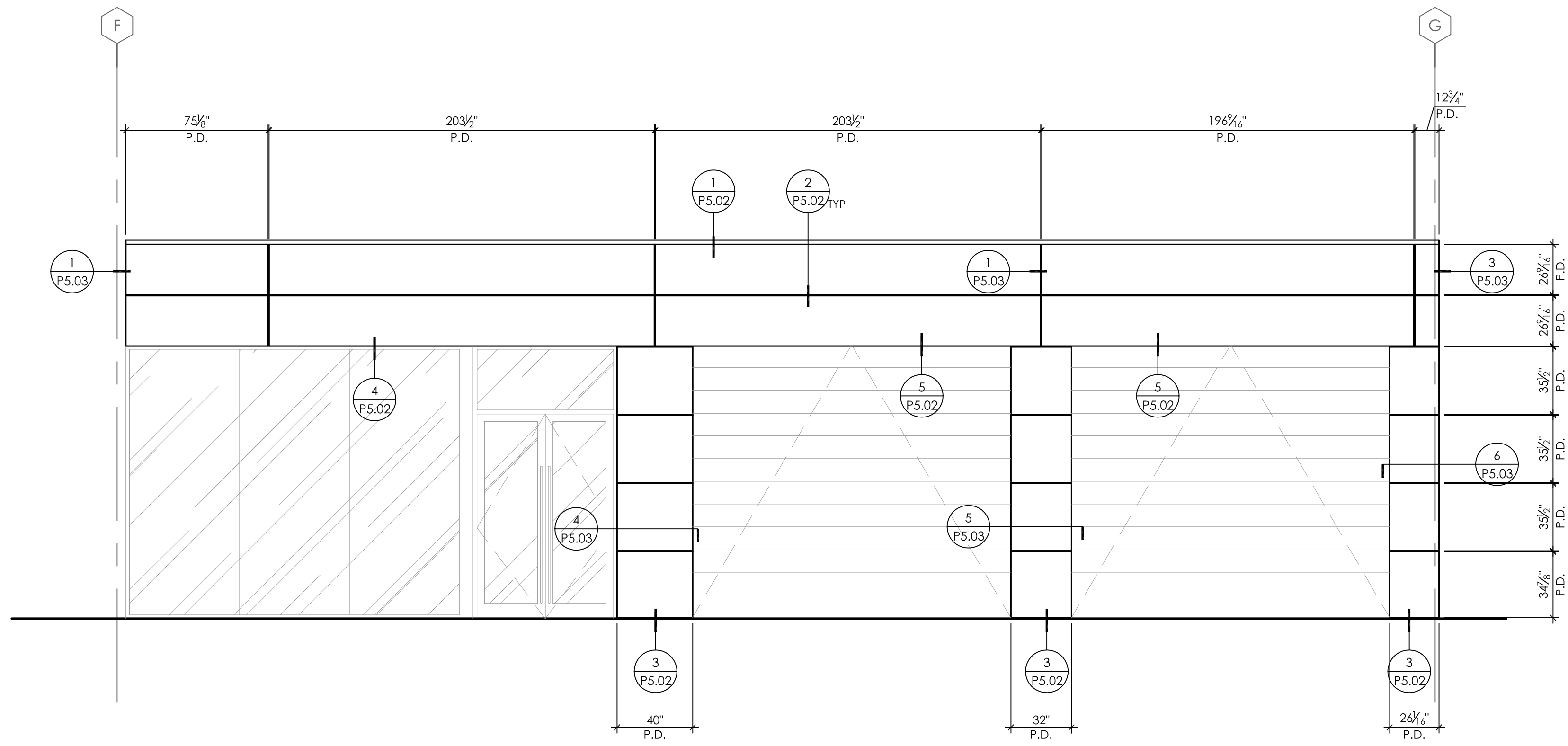
REVISION HISTORY

AUDI

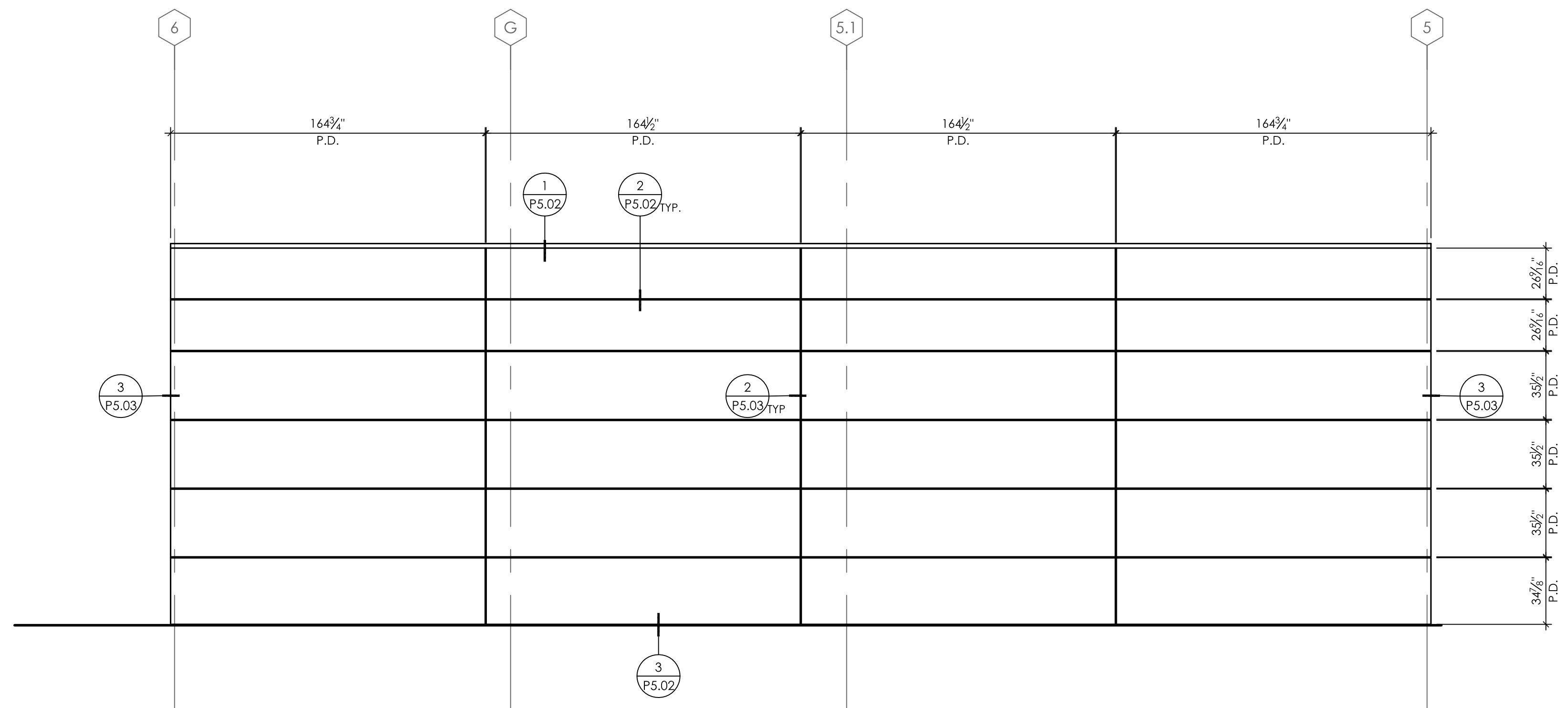
PANEL ELEVATIONS

PROJECT NO. ____
SCALE 1/8"=1'-0"
DATE 3/10/16
DRAWN DJD

P2.04



A1 ACM PANEL ELEVATION - REYNOBOND RAINSCREEN
SCALE: 1/4"=1'-0"



A2 ACM PANEL ELEVATION - REYNOBOND RAINSCREEN
SCALE: 1/4"=1'-0"

NO.	DESCRIPTION

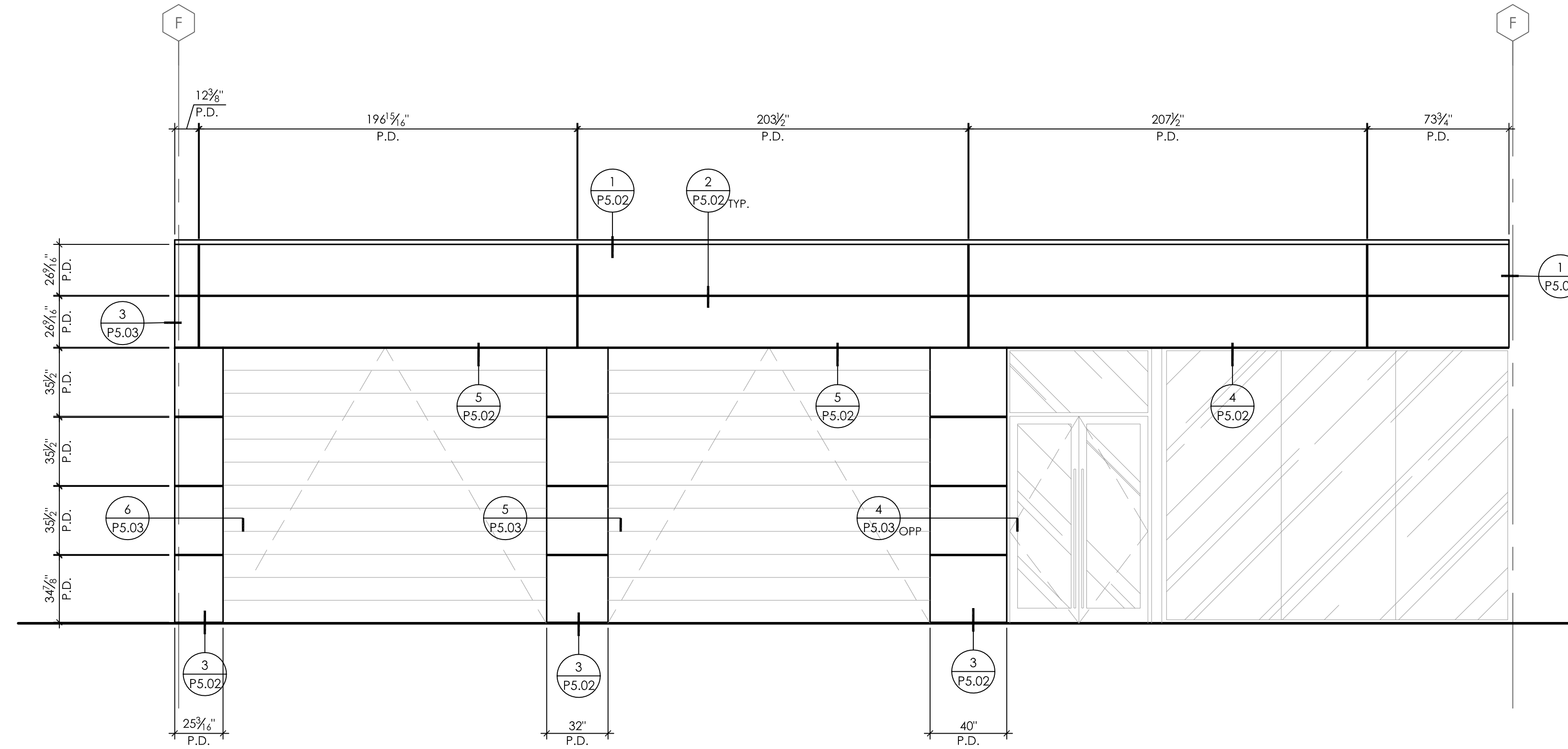
REVISION HISTORY

AUDI

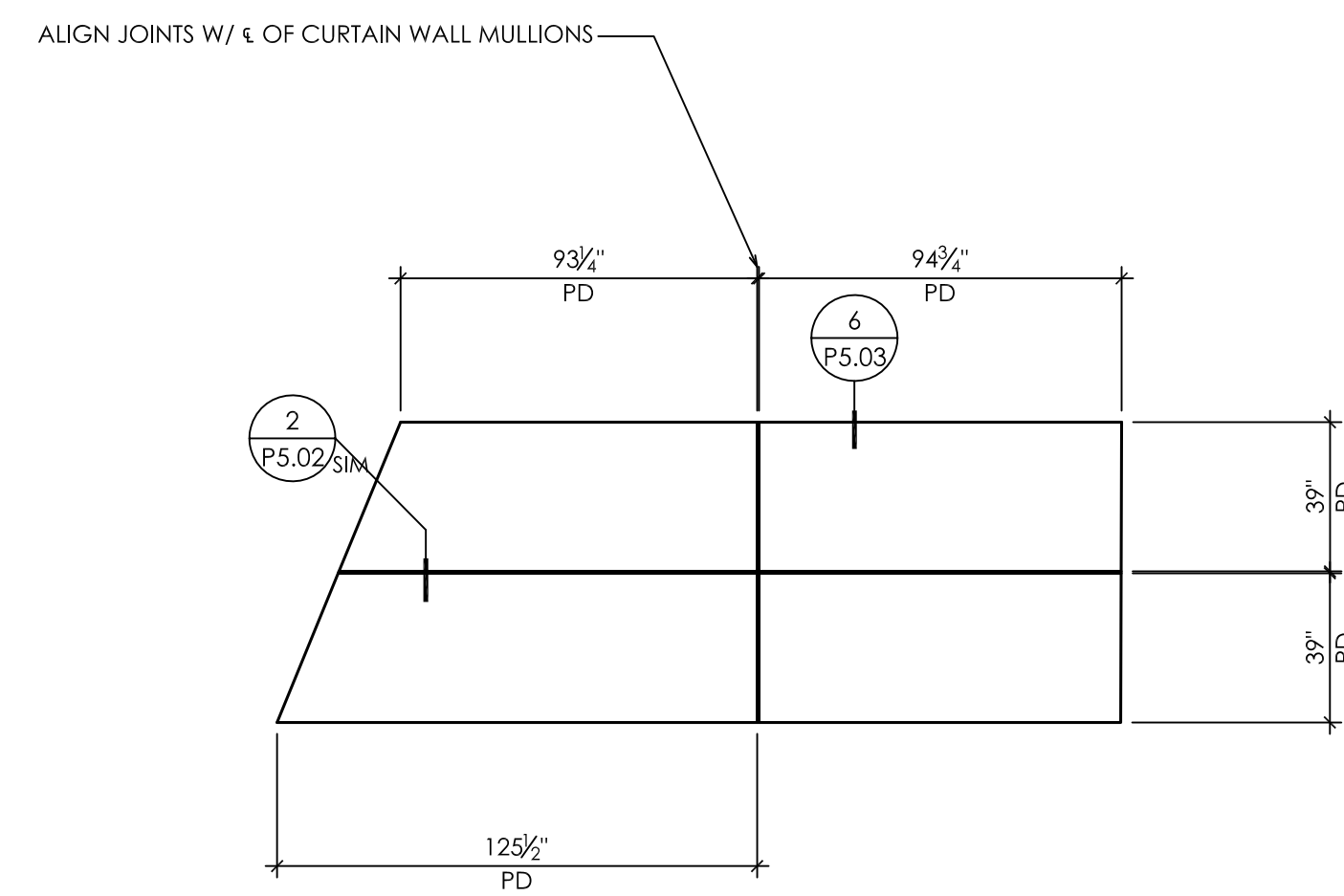
ACM PANEL ELEVATIONS

PROJECT NO. ____
SCALE 1"=1'-0"
DATE 3/10/16
DRAWN DJD

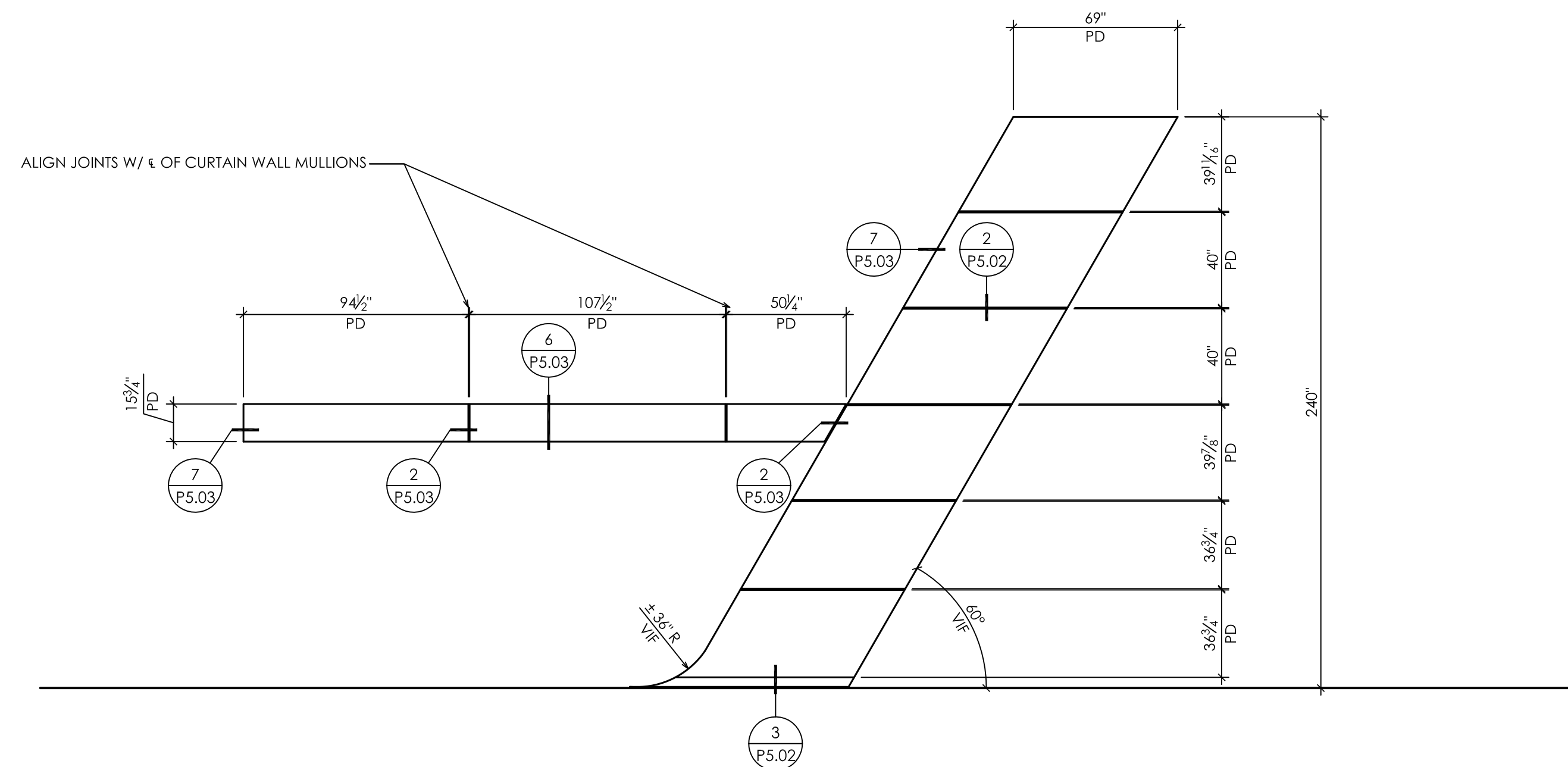
P2.05



A3 ACM PANEL ELEVATION - REYNOBOND RAINSCREEN
SCALE: 1/4"=1'-0"



A5 ACM PANEL SOFFIT - REYNOBOND RAINSCREEN
SCALE: 1/4"=1'-0"



A4 ACM PANEL ELEVATION - REYNOBOND RAINSCREEN
SCALE: 1/4"=1'-0"

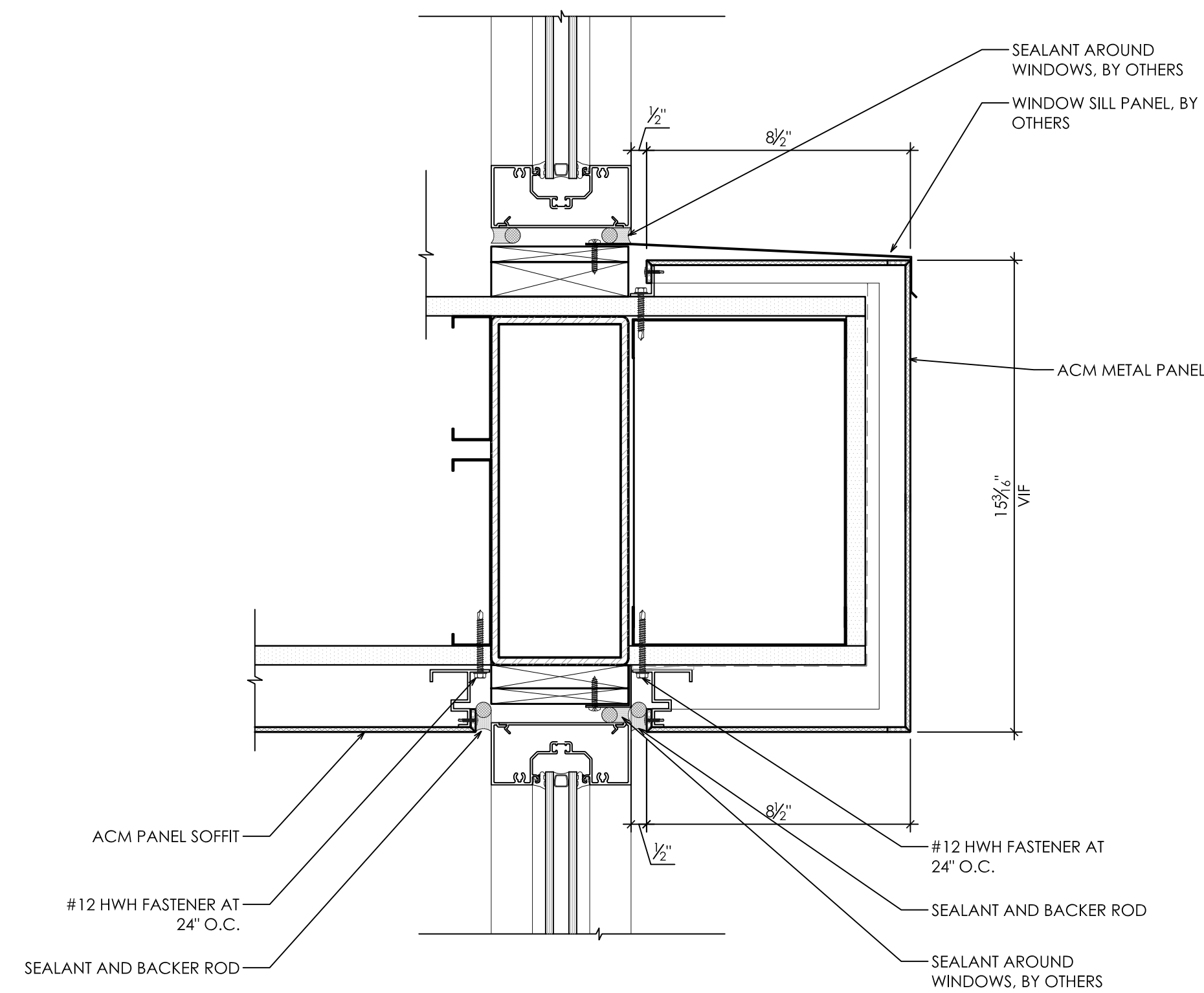
REVISION HISTORY

AUDI

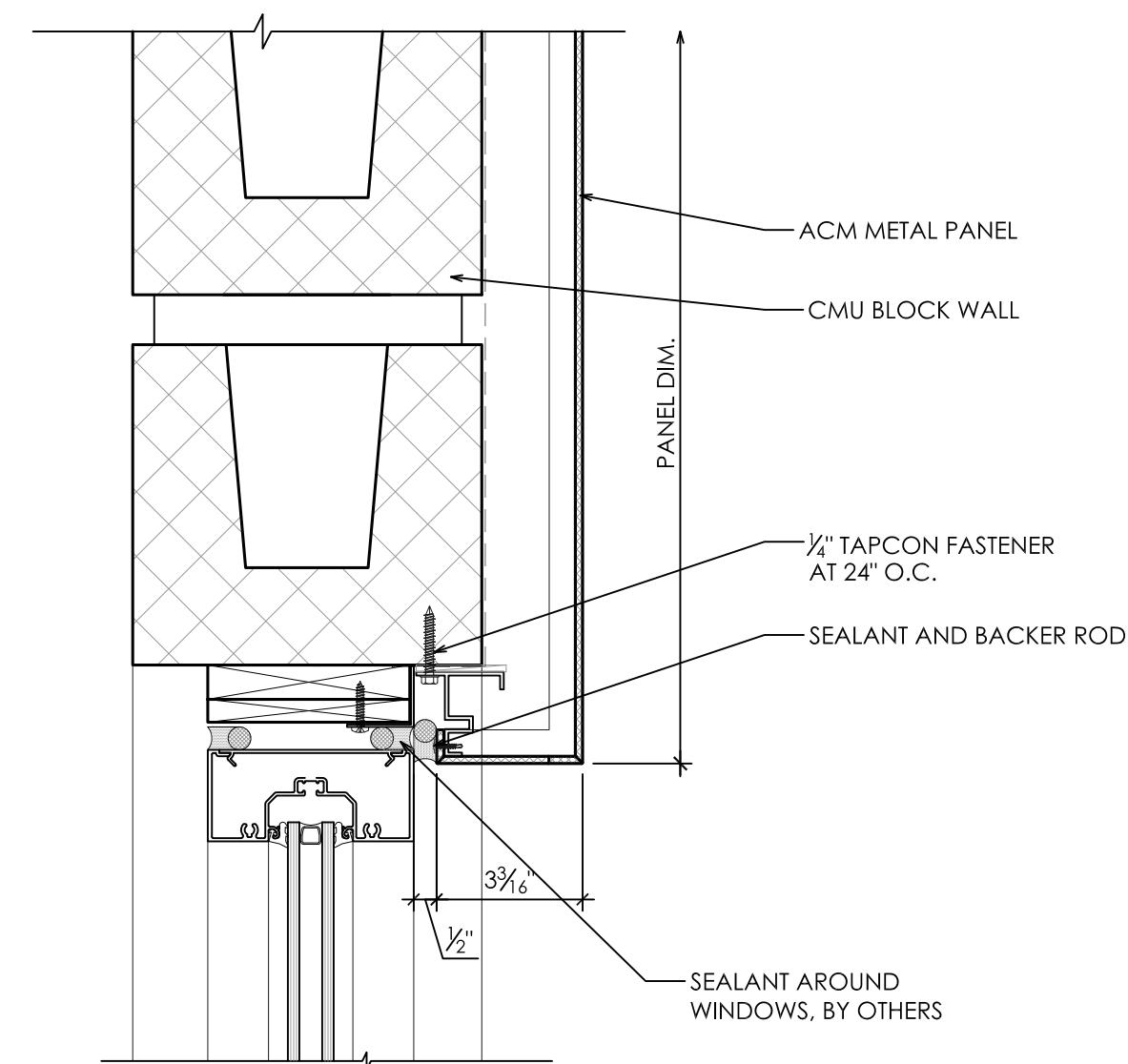
ACM PANEL ELEVATIONS

PROJECT NO.
SCALE	1/4"=1'-0"
DATE	3/10/16
DRAWN	DJD

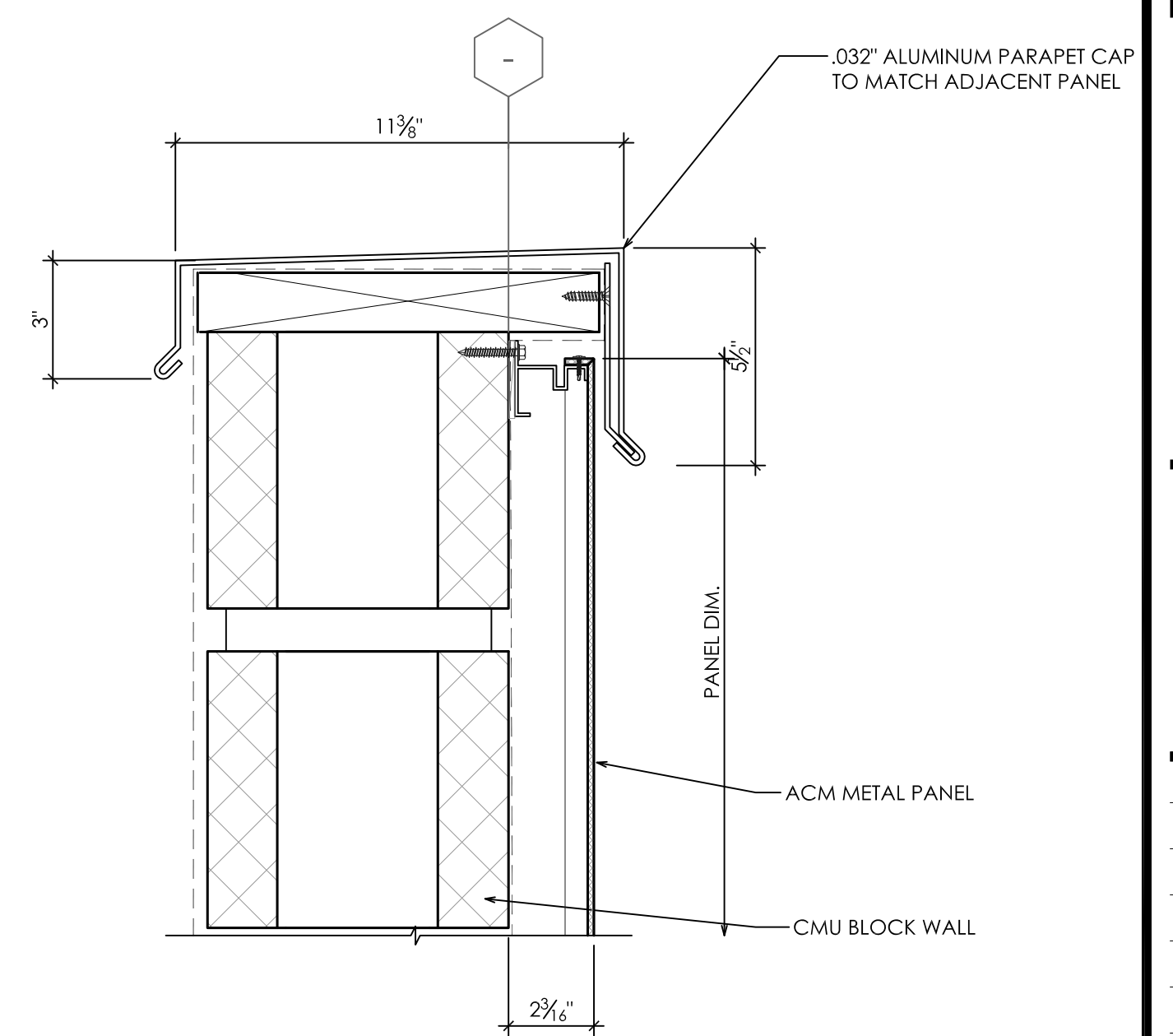
P2.06



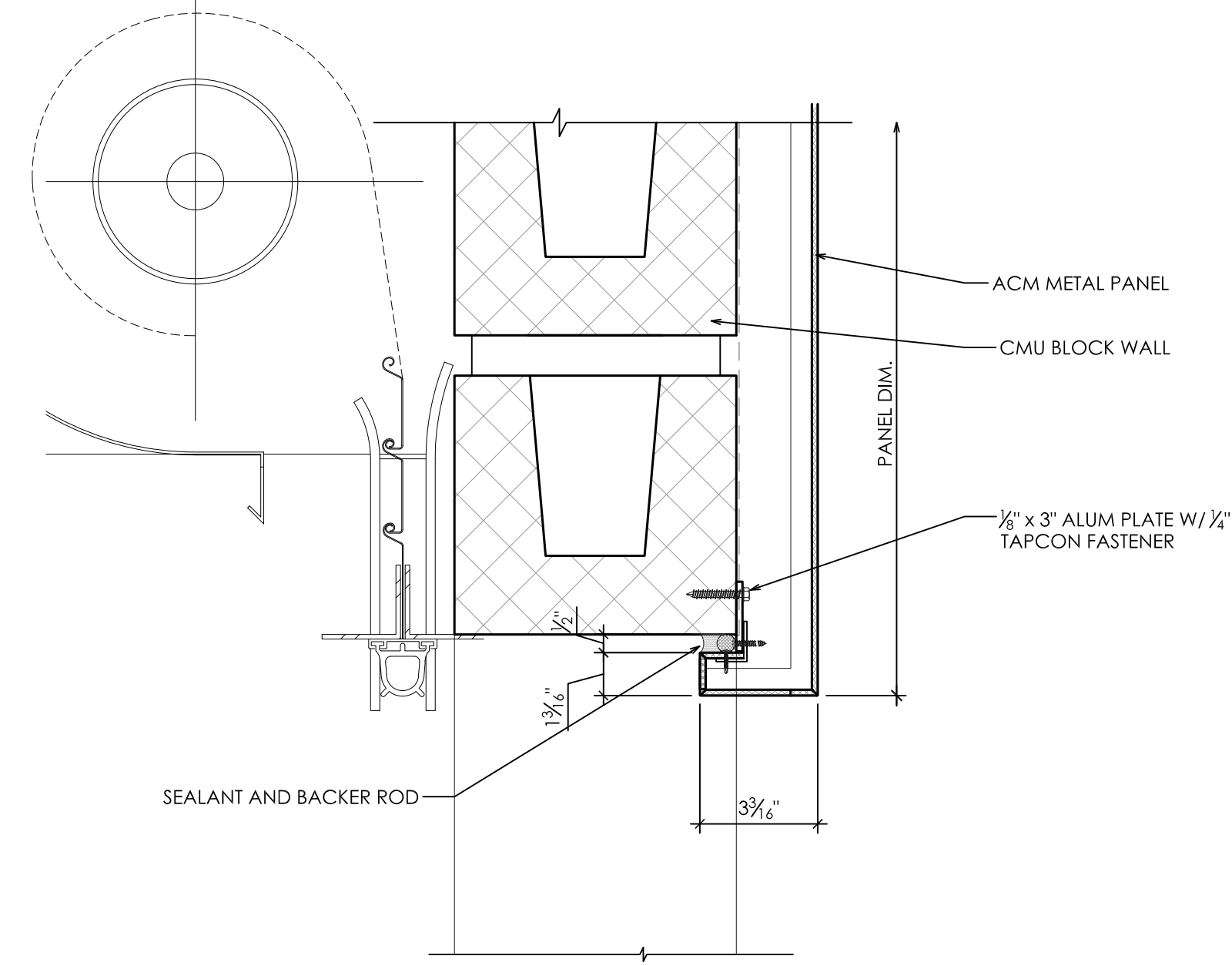
6 ACM PANEL SILL AT STOREFRONT
SCALE: 3"=1'-0" REF: 12/A9.0



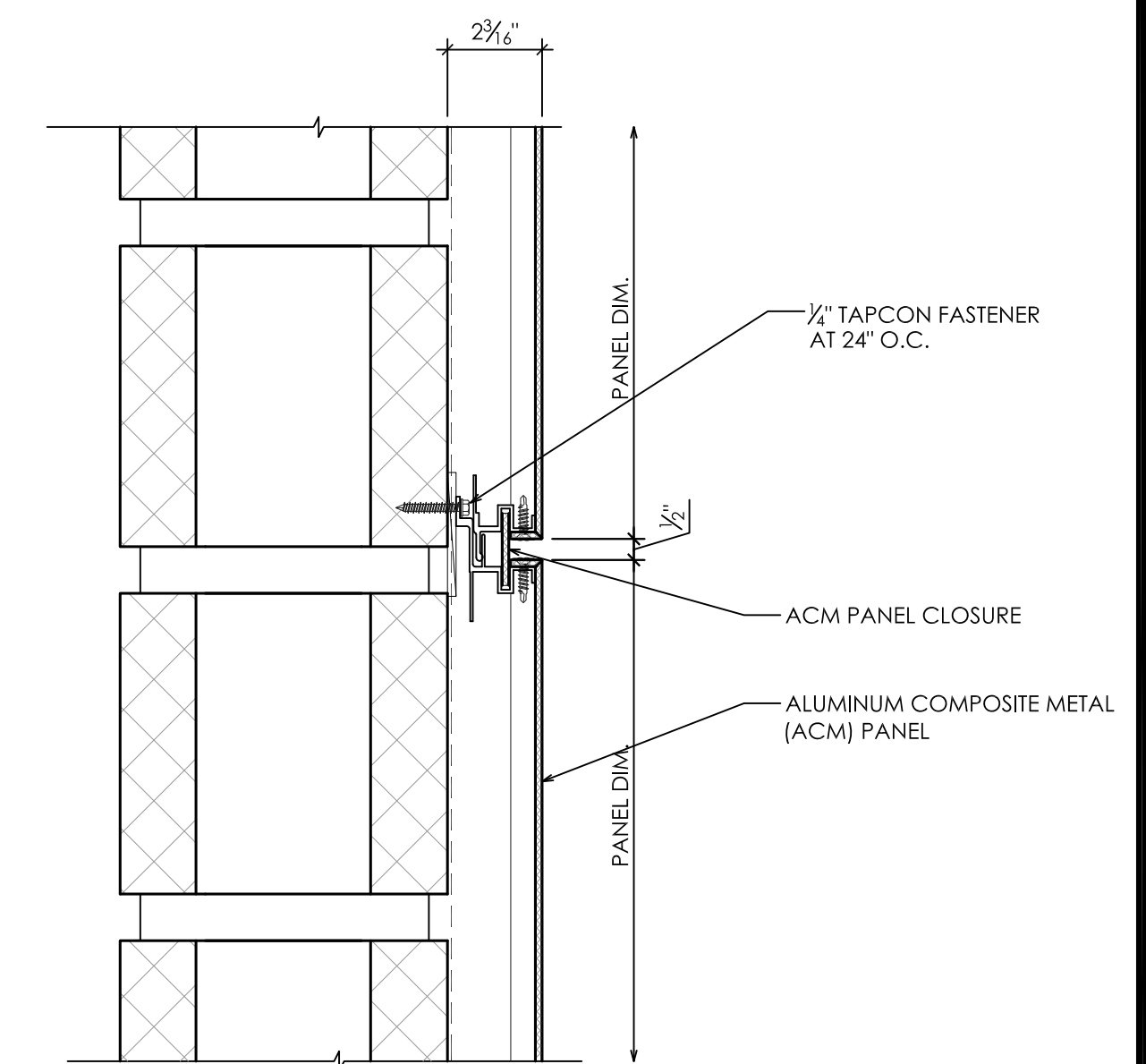
4 ACM PANEL SILL AT STOREFRONT
SCALE: 3"=1'-0" REF: 13/A9.1



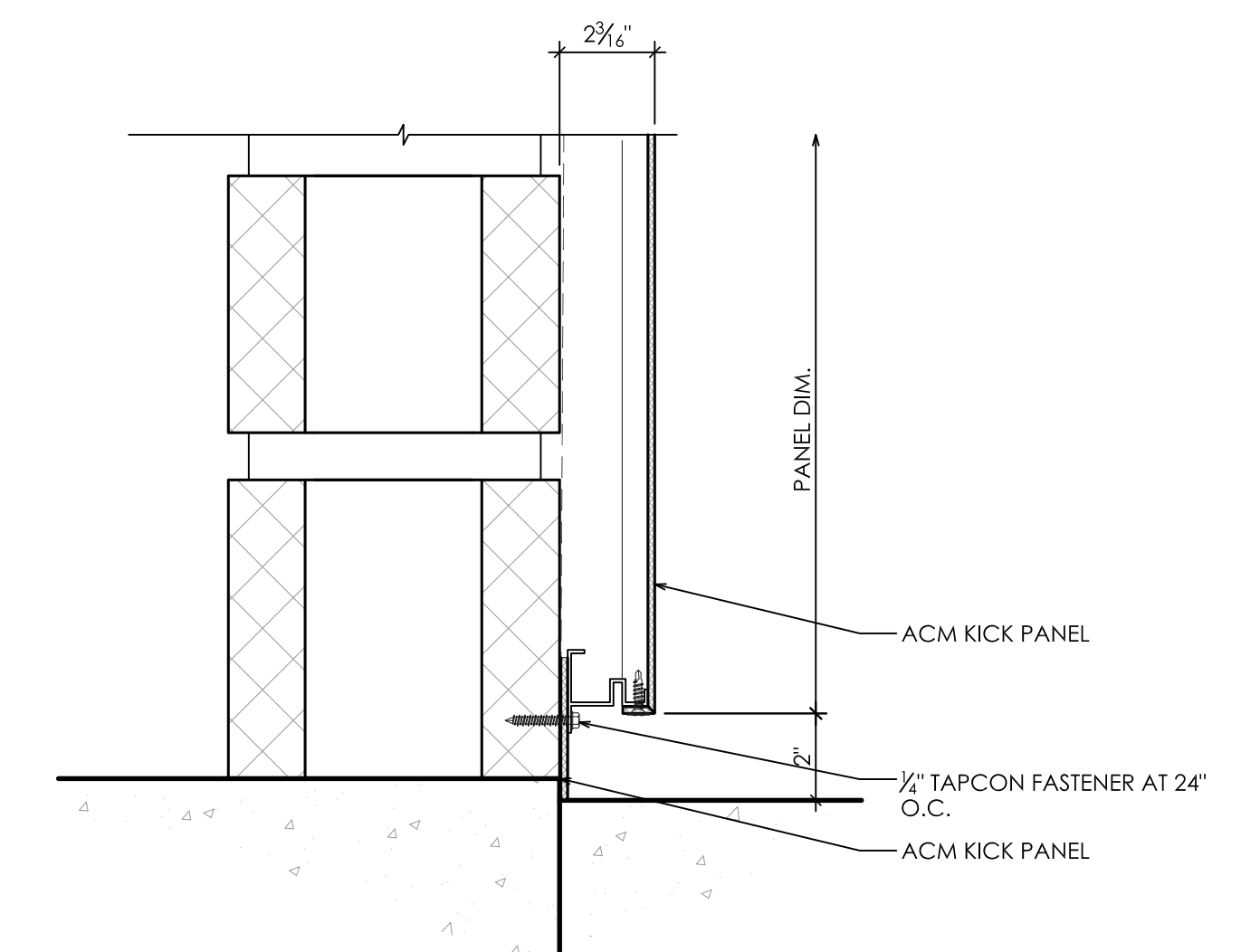
1 PROFILE PANEL AT PARAPET
SCALE: 3"=1'-0" REF: 1/A5.4



5 ACM PANEL SILL AT ROLL UP DOOR
SCALE: 3"=1'-0" REF: 12/A9.1 SIM



2 ACM PANEL TYP. JOINT
SCALE: 3"=1'-0" REF: 2/A5.4



3 ACM PANEL SILL AT GROUND
SCALE: 3"=1'-0" REF: 3/A5.4

REVISION HISTORY	

AUDI

PANEL DETAILS

PROJECT NO. ____
SCALE 3"=1'-0"
DATE 3/10/16
DRAWN DJD

